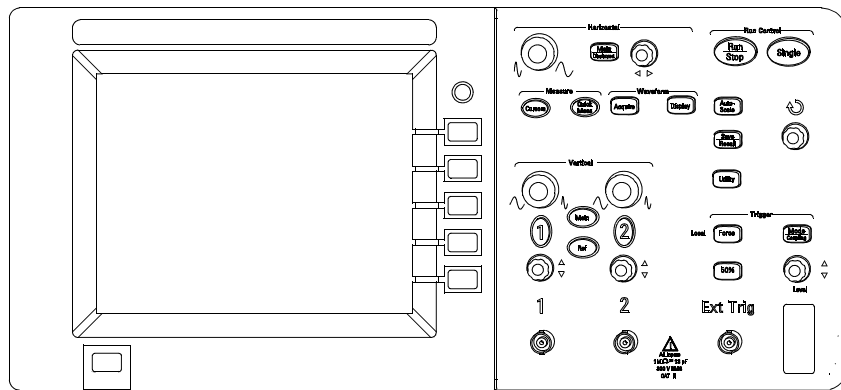


---

## Installation Instructions

Publication number D3000-92000

March 2005



© Copyright Agilent Technologies 2005  
All Rights Reserved.

---

# 3000 Series Oscilloscopes

## Power Requirements and Environmental Conditions

---

### Power Requirements

Line Voltage Range	100 to 240 VAC $\pm$ 10%, CAT II, automatic selection
Line Frequency	50 to 440 Hz
Power Usage	50 VA max

---

### Environmental Characteristics

Ambient Temperature	Operating 0 °C to +55 °C Non-operating -40 °C to +70 °C
Humidity	Operating 95% RH at 40 °C for 24 hr Non-operating 90% RH at 65 °C for 24 hr
Altitude	Operating to 4,750 m (15,000 ft) Non-operating to 15,244 m (50,000 ft)
Vibration	HP/Agilent class B1
Shock	HP/Agilent class B1
Pollution degree2	Normally only dry non-conductive pollution occurs. Occasionally a temporary conductivity caused by condensation must be expected.
Indoor use only	This instrument is rated for indoor use only
<b>Installation categories</b>	CAT I: Mains isolated CAT II: Line voltage in appliance and to wall outlet

### Manuals Installation

All of the manuals and the remote control software for the 3000 Series Oscilloscopes are contained on the CD-ROM that you received with the oscilloscope. To install the manuals or the software on your PC do the following steps.

- 1 Put the CD-ROM in the CD-ROM drive on your PC.
- 2 The CD-ROM should autostart. If it does not autostart, go to the root directory on the CD-ROM and double-click on the file install.exe.
- 3 Follow the onscreen instructions.

Printed in Malaysia  
Agilent Part Number  
D3000-92000

